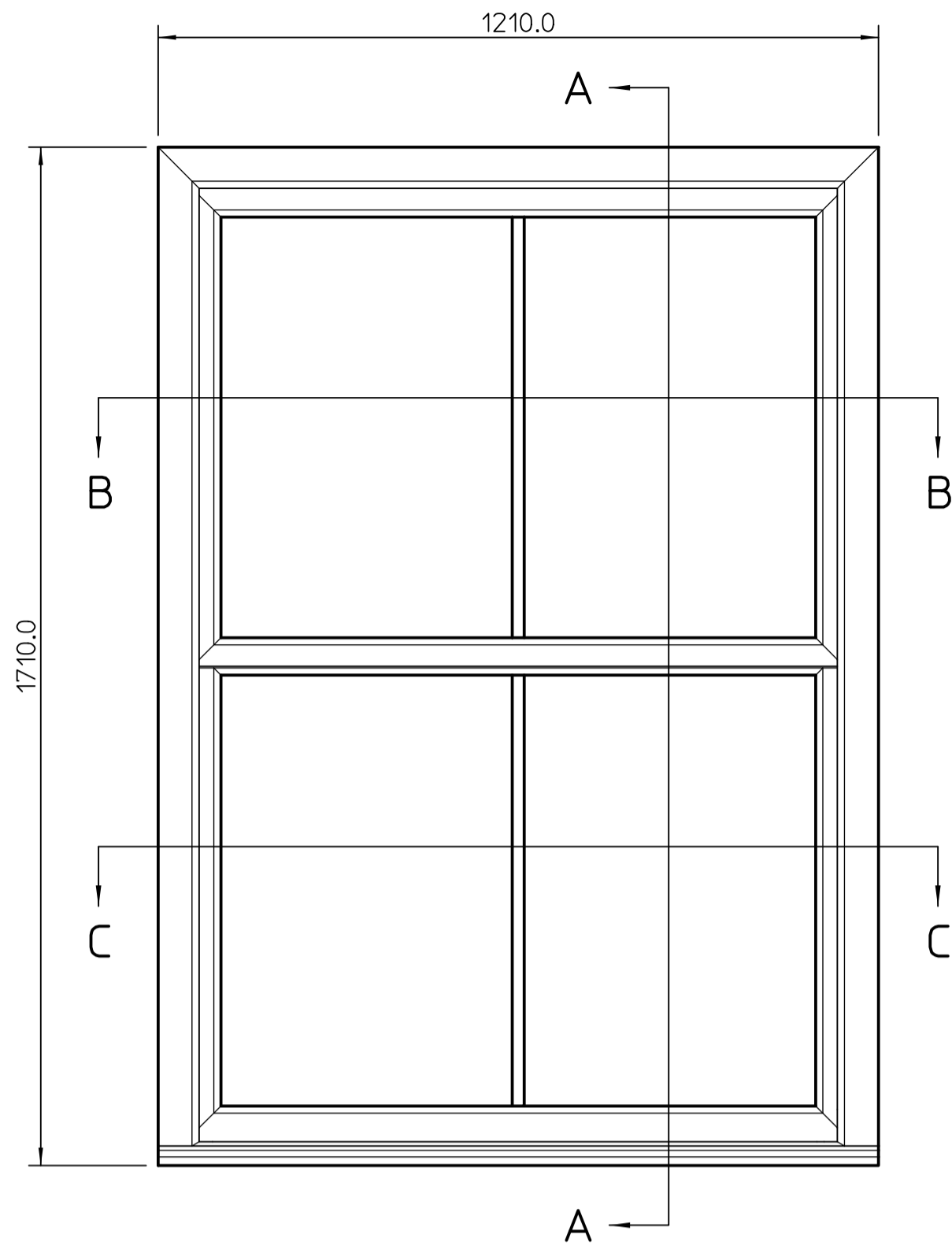
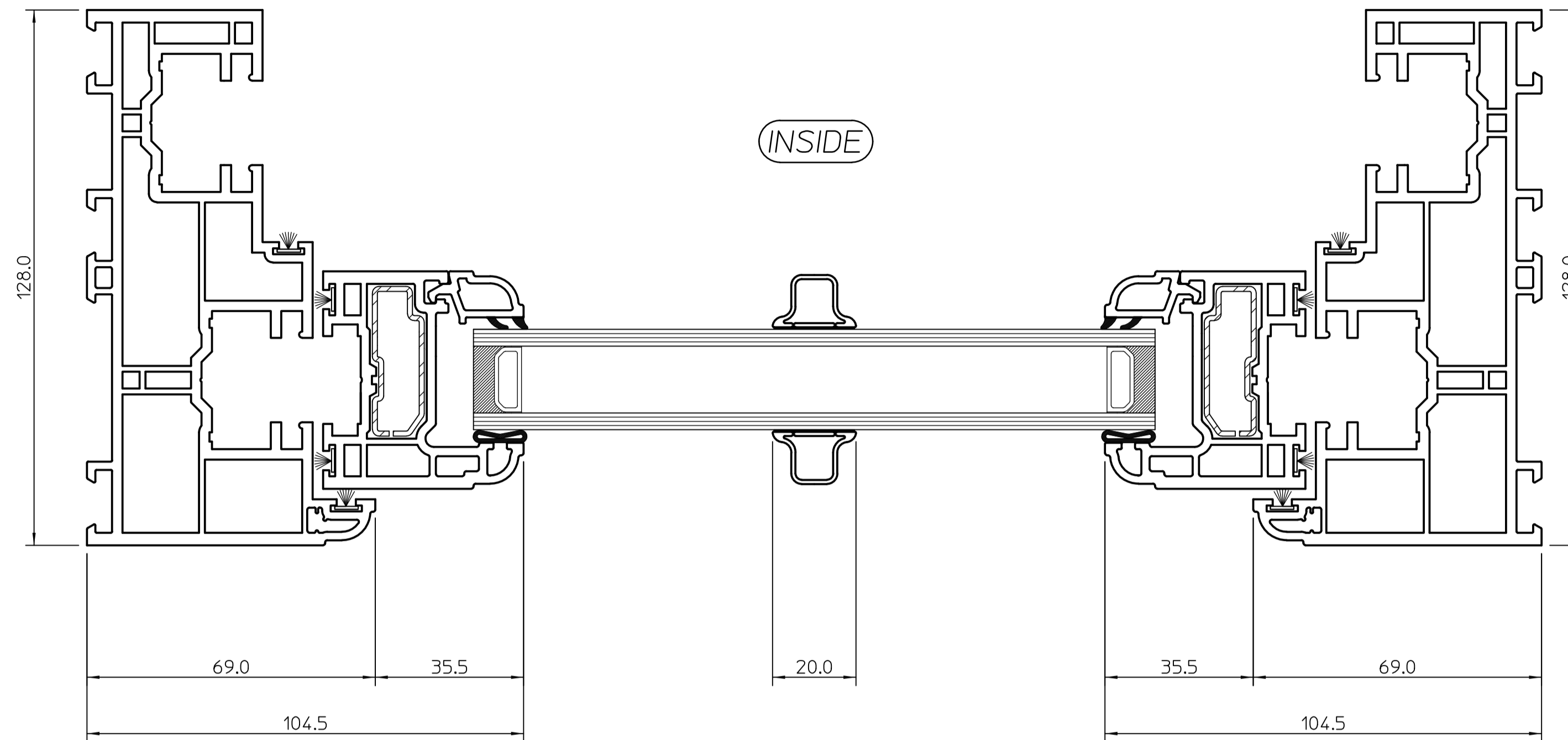


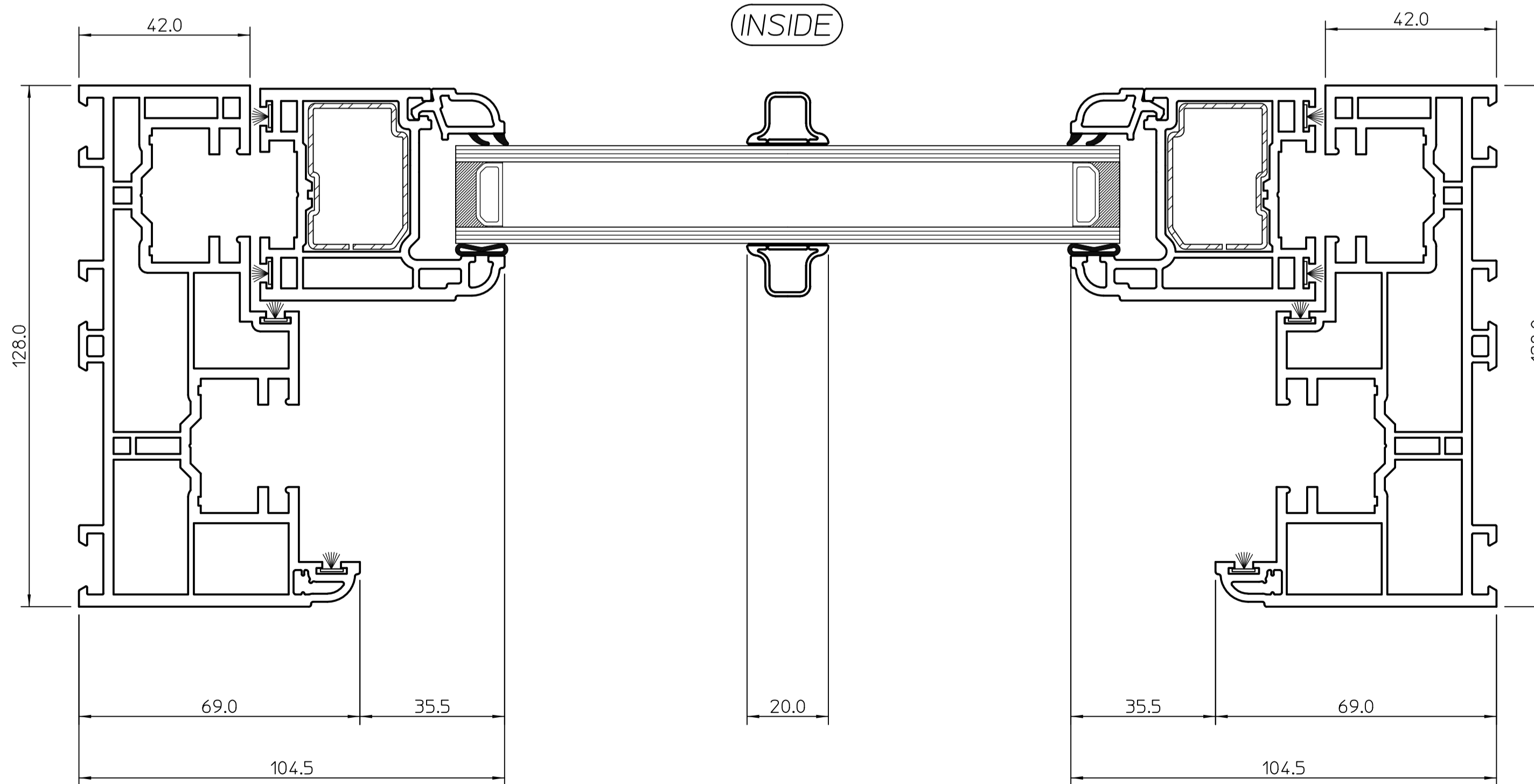
# Cross Section with Standard Bottom Rail



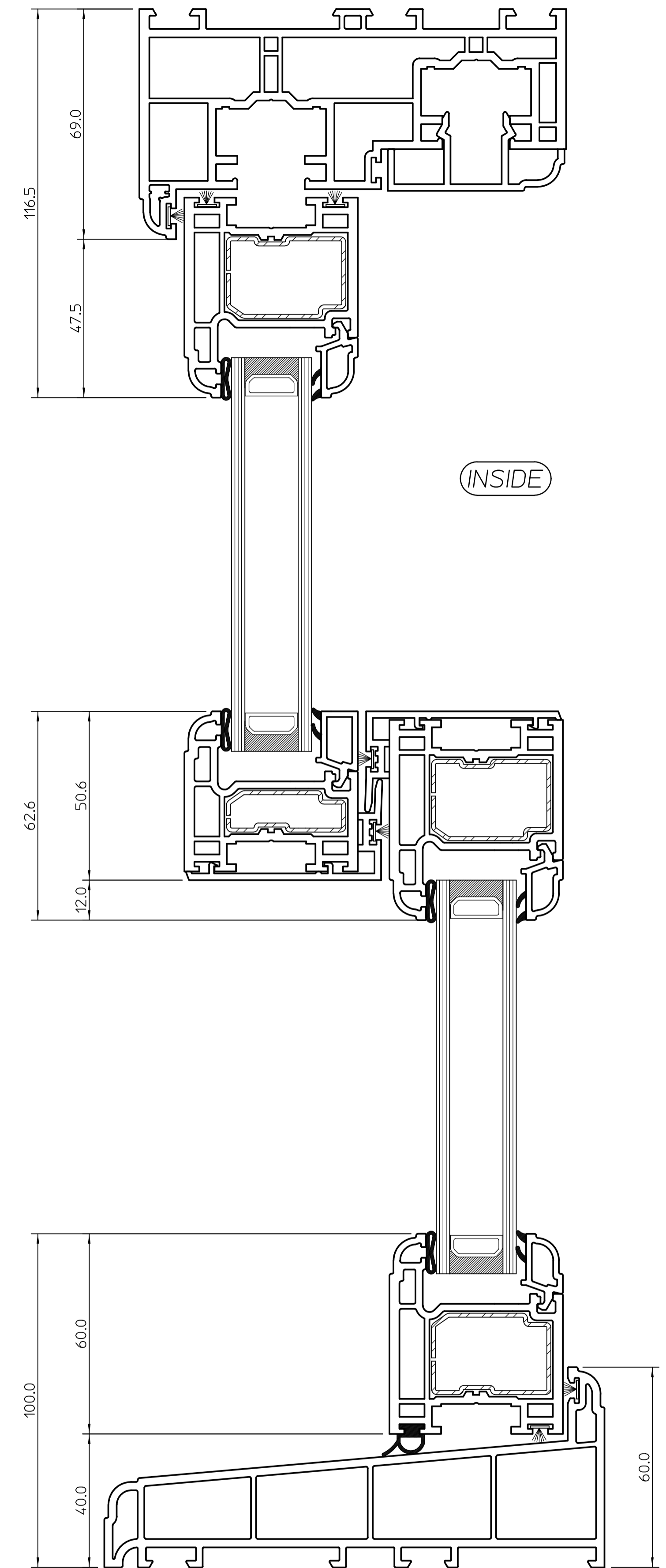
1:10 ELEVATION



SECTION 'B-B'



SECTION 'C-C'

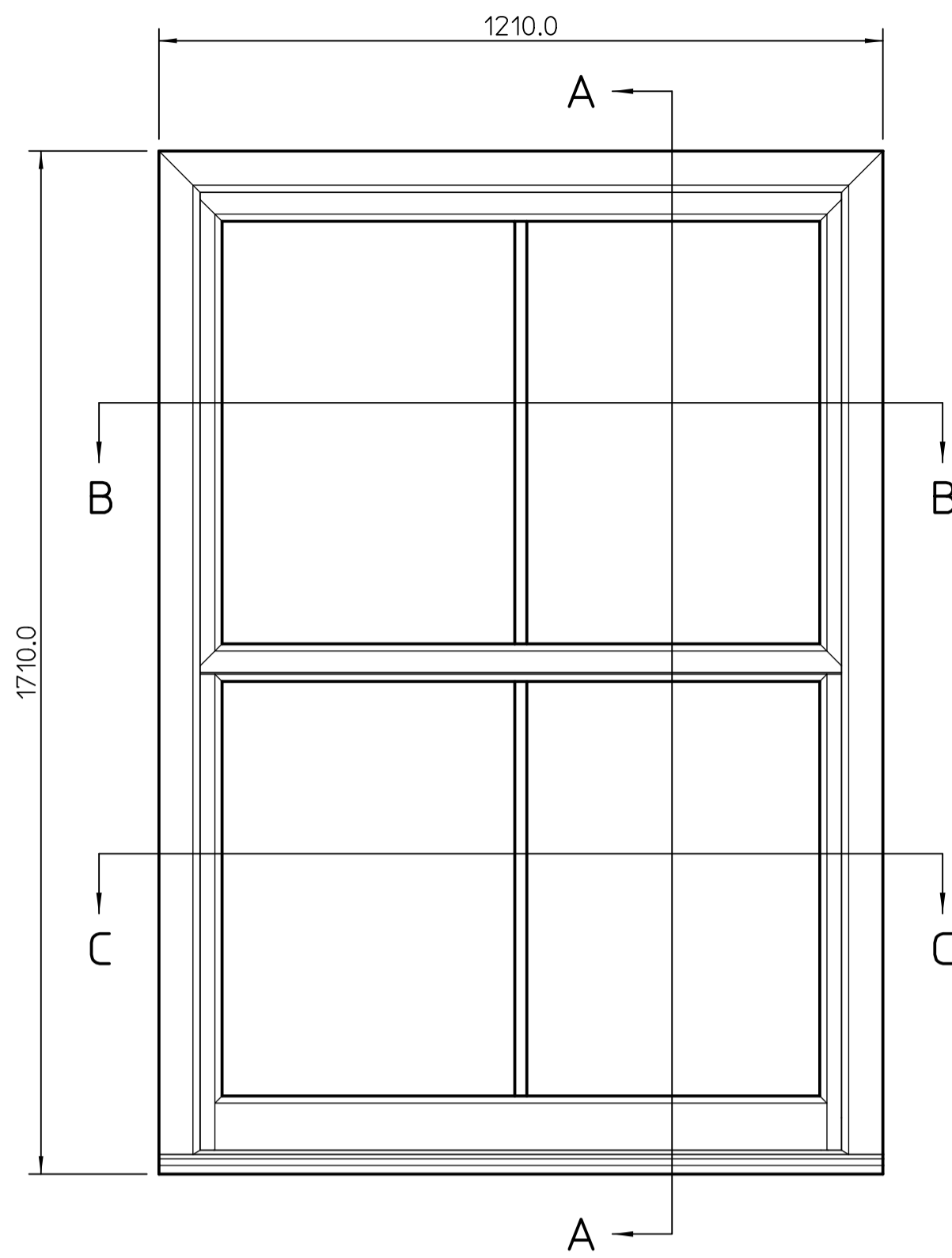


SECTION 'A-A'

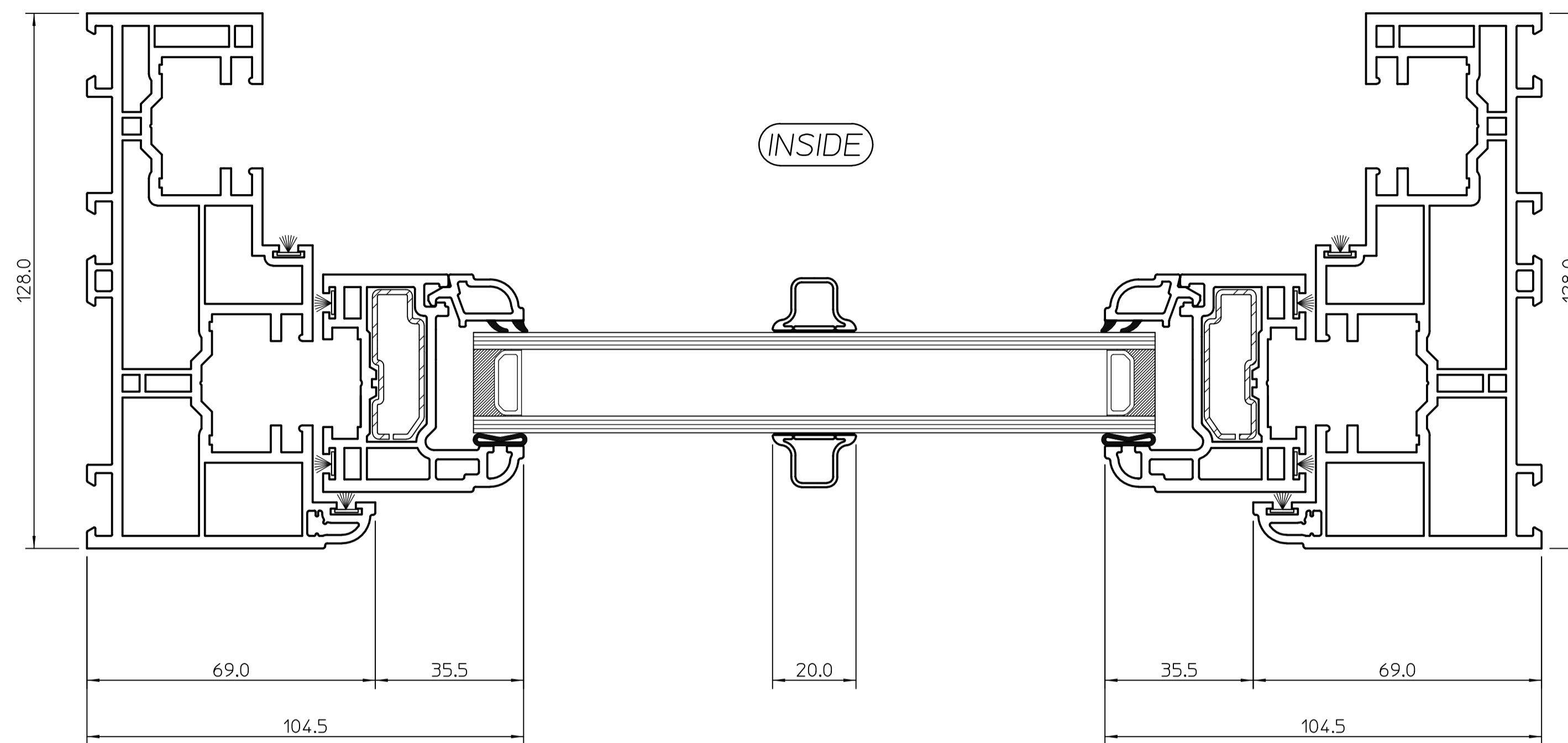
**Epwin Group**  
 WINDOW SYSTEMS  
 DIVISION  
 Stafford Park 6, Telford, Shropshire TF3 3AT  
 Tel: 01952 290910 Fax: 01952 290460

A				7/07/2022	G.G.
Drawn By:	Date:	Approved:	Scale:	of: A1	Drawing No:
G.G.	07/07/2022		1:10 & 1:1		7411
					Issue:
					A

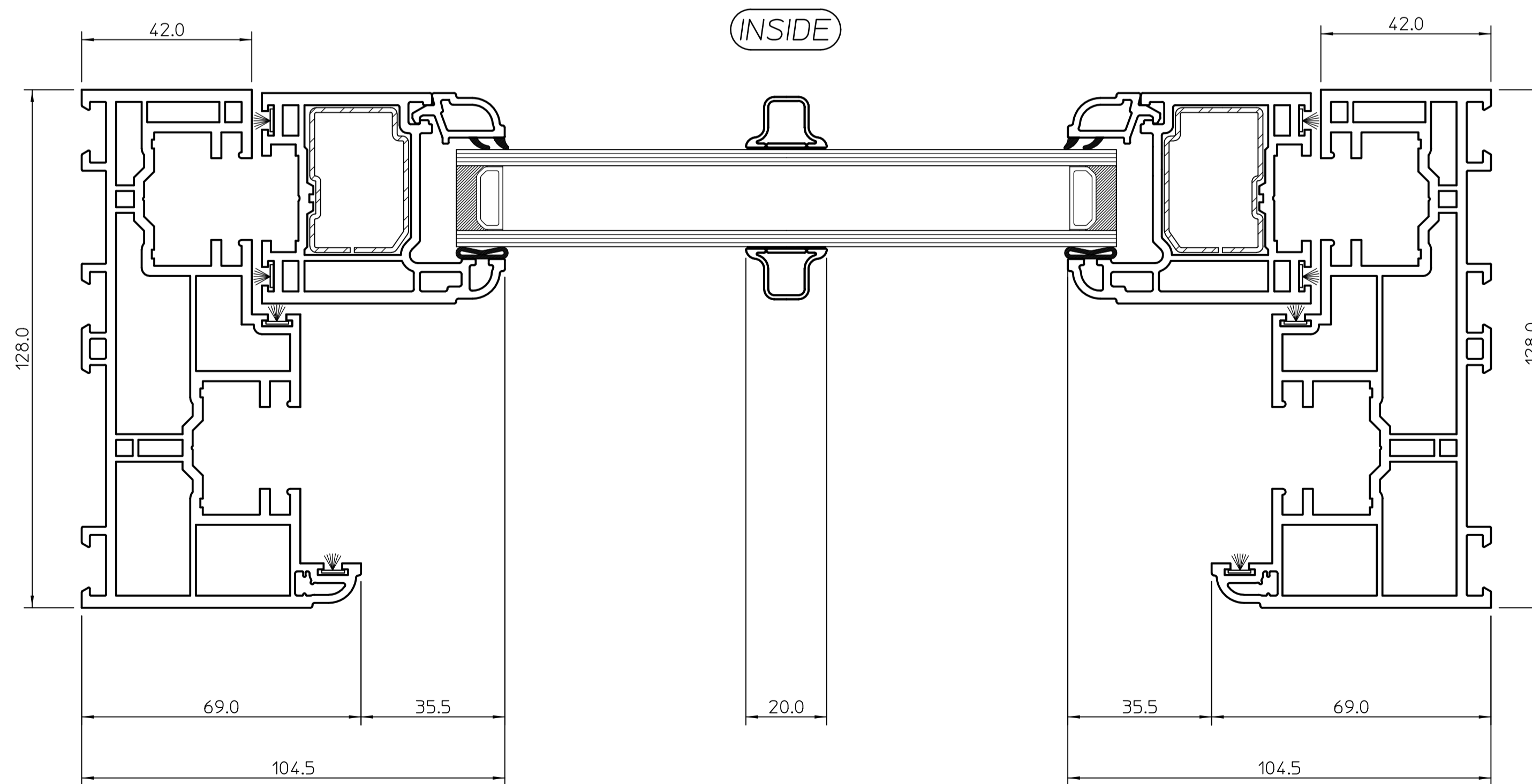
# Cross Section with Deep Bottom Rail



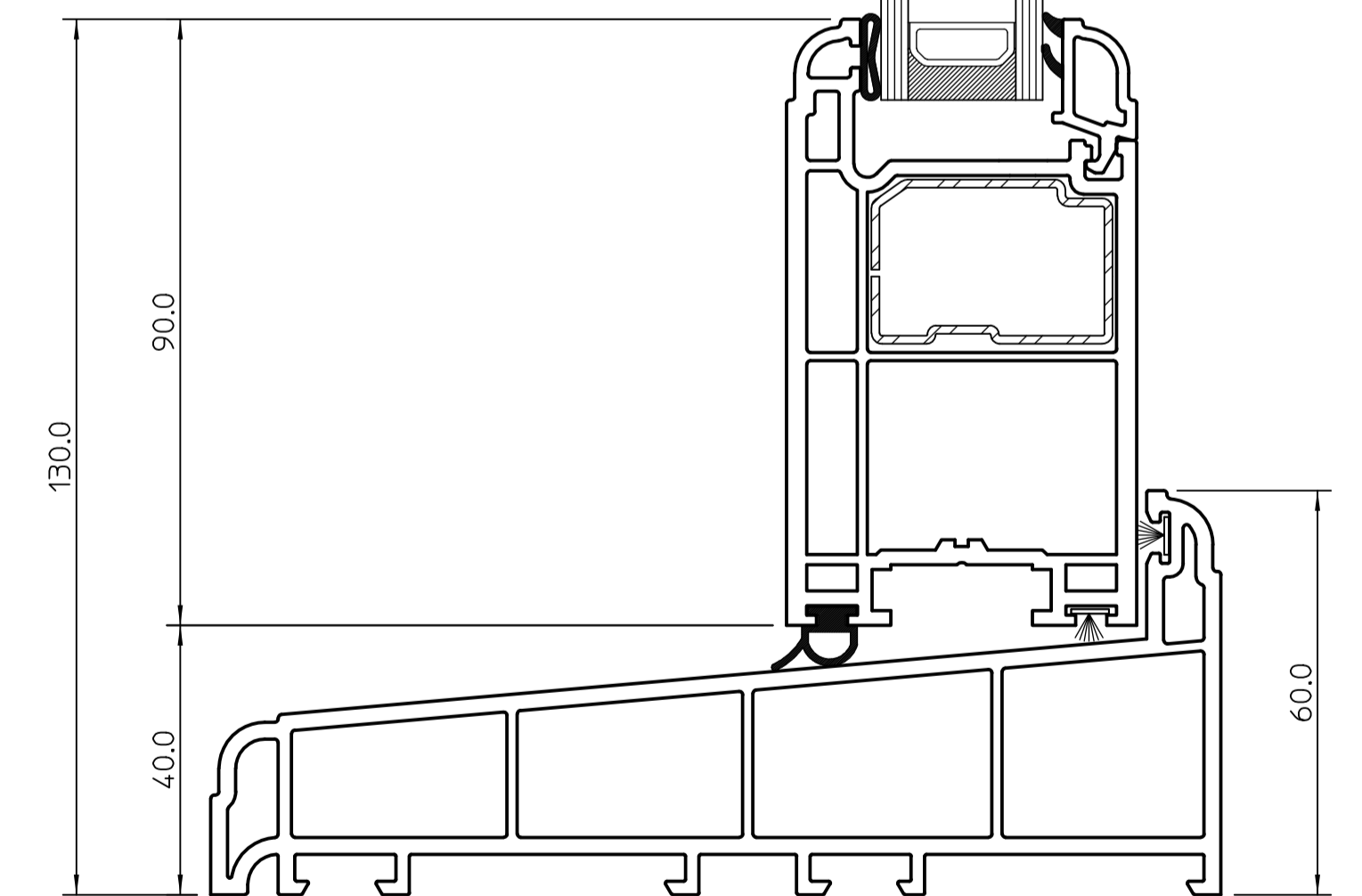
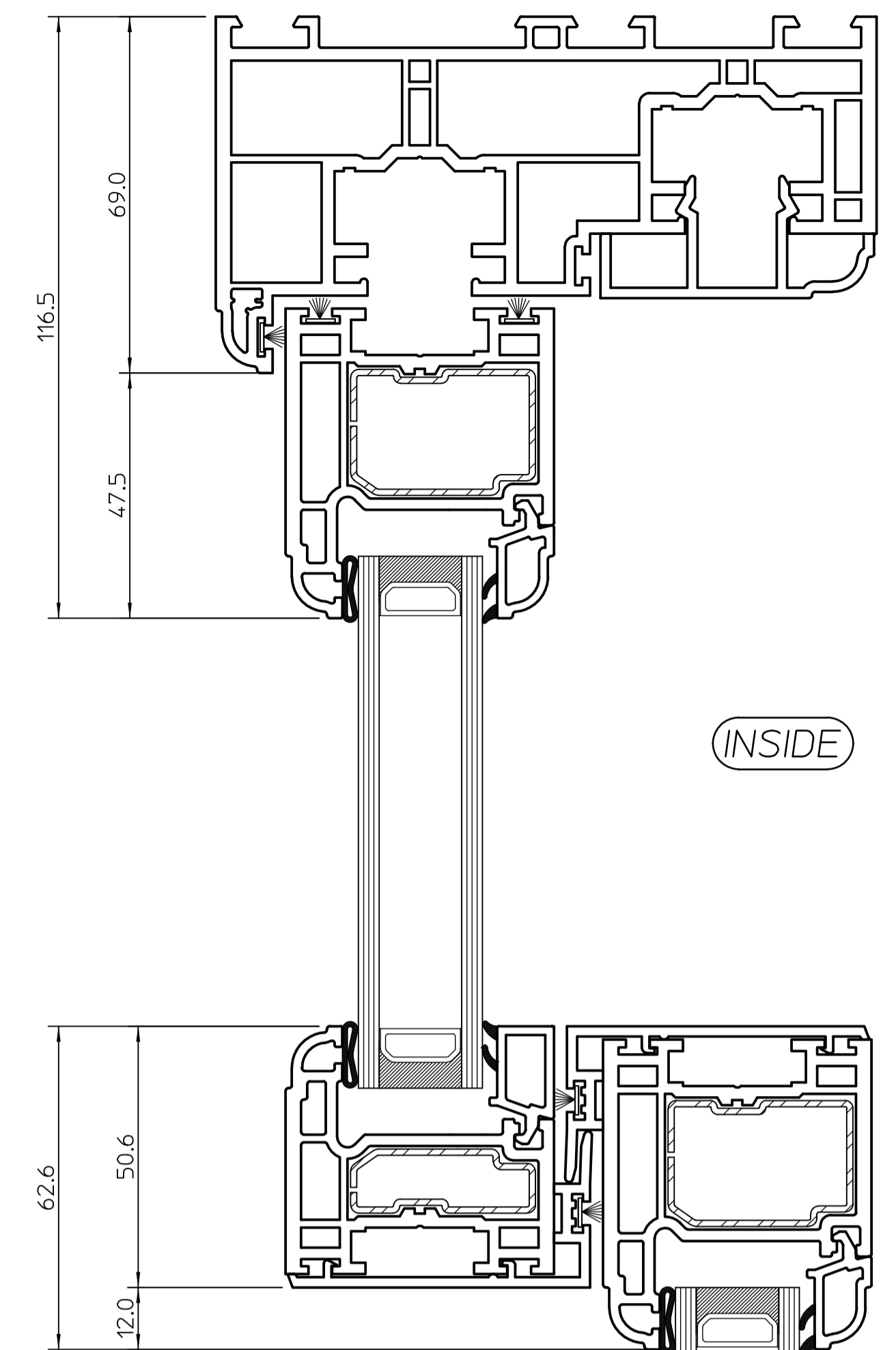
1:10 ELEVATION



SECTION 'B-B'



SECTION 'C-C'



SECTION 'A-A'

**Epwin Group**  
 WINDOW SYSTEMS  
 DIVISION  
 Stafford Park 6, Telford, Shropshire TF3 3AT  
 Tel: 01952 290910 Fax: 01952 290460

B					7/07/2022	G.G.
Drawn By:	Date:	Approved	Scale:	at:	Drawing No:	Issues:
G.G.	29/06/2022		1:10 & 1:1	A1	7409	B